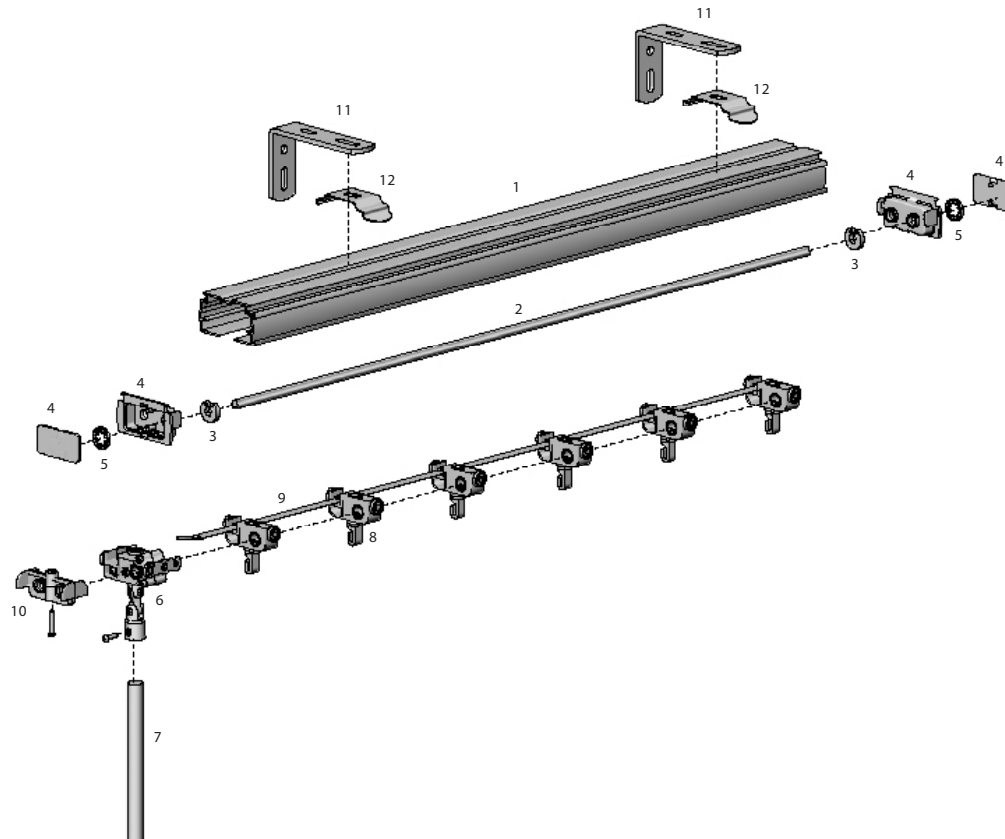


OVERVIEW: VERTICAL WAND CONTROL SYSTEM INFORMATION

Acmeda have developed a new wand control system for Vertical Blinds; designed to provide a single or dual operation.

FEATURES/BENEFITS

- Operates as a standard left or right hand configuration.
- Ability to achieve a Dual Control centre opening.
- Performs an Individual or Dual Tilting function.
- Slimline end cap available in a range of colours to suit headrail.
- Tiltrod support with fixing screw ensuring a secure fitment.



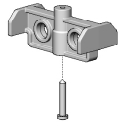
SYSTEM INDEX

1	Aluminium Head rail – Slim ROUND25
2	Aluminium Tiltrod
3	Stop Ring
4	VA08 Direct Drive Wand Control End Cap – LH & RH set
5	Thrust Washer
6	Wand Control Direct Drive Unit
7	Rigid PVC Wand
8	Carriers
9	Link Spacers
10	Fixed Tiltrod Support – NON Magnetic
11	Installation Brackets
12	Ceiling Clips

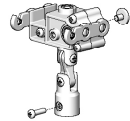
Dual Control Centre Opening Wand System



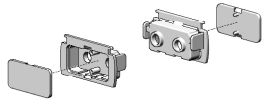
VERTICAL WAND CONTROL SYSTEM INFORMATION

Fixed Tiltrod Support + screw
Non Magnetic

CODE:
VA01-0601-060000
COLOUR: natural white **060** only

Wand Control Direct Drive Unit

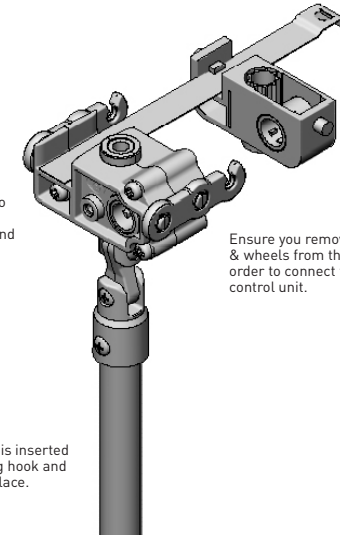
CODE:
VA01-0208-410001 - L/H Control (Stacking)
VA01-0208-410002 - R/H Control (Stacking)
COLOUR: ivory **410** only

VA08 Wand Control Direct Drive End Cap
L/H & R/H set

CODE:
VA08-0228-xxx000
COLOUR: black **050**, snow white **062**, silver grey **338**,
ivory **410**, birch white **412**, beige **420**

Rigid PVC Wand

CODE:
VA01-0218-xxx071 - 75cm wand
VA01-0218-xxx151 - 150cm wand
COLOUR: snow white **062**, TE grey **342**, beige **420**

Attaching the first carrier to the wand control unit

The link spacer will need to be cut down so it does not exceed the width of the wand control unit.

Ensure you remove the hook & wheels from the carrier in order to connect to the wand control unit.

The PVC wand is inserted into connecting hook and screwed into place.

DEDUCTIONS

Wand Control End Cap Deductions

